

ADB 氣動增壓缸 氣動泵浦 三迴路



Air Drive Booster

• Pmax:6kg/cm²

產品簡介

- 增壓缸本體與單迴路作動功能相同，輸出油壓壓力分為三迴路，每迴路 P 孔內藏單向閥，確保每迴路個別運作。
- 運用於多迴路自動化工裝夾具，個別控制操作夾具油壓缸。
- 選購附件：油箱液位開關 EP-125FA

疊加式減壓閥 MBRV-02P-1L:3~35kg/cm²
 最高使用壓力 MBRV-02P-2L:7~70kg/cm²
 210 Kg/cm² MBRV-02P-3L:35~140kg/cm²

壓力傳感器：台灣 壓力傳感器：義大利
 JC-PS-02L:10~230kg/cm² PS-021:20~50kg/cm²
 JC-PS-02LL:5~60kg/cm² PS-022:50~80kg/cm²
 PS-023:50~150kg/cm²



Product Introduction

- The body of the booster cylinder has the same actuating function as the single circuit. The output hydraulic pressure includes three circuit. The P port on each circuit is equipped with a single direction valve, so that each circuit can work individually.
- It is applicable for automated clamp in multi-circuit, which can independently control hydraulic cylinder of clamp.
- Optional Accessories: Fluid level switch in oil tank EP-125FA

Modular pressure reducing valve MBRV-02P-1L:3~35kg/cm²
 Max operation pressure 210kg/cm² MBRV-02P-2L:7~70kg/cm²
 MBRV-02P-3L:35~140kg/cm²

Pressure sensor : Made in TAIWAN Pressure sensor : Made in ITALY
 JC-PS-02L:10~230kg/cm² PS-021:20~50kg/cm²
 JC-PS-02LL:5~60kg/cm² PS-022:50~80kg/cm²
 PS-023:50~150kg/cm²



特性資料 Specification

使用流體	Fluid	已濾清之壓縮空氣 Filtered air						
最大操作壓力	Max operation pressure	6 kg/cm ²						
增壓倍數	Boost pressure rate	06	10	13	16	25	44	
空氣供給	Air pressure supply	6kg/cm ²	15.1	10.8	9.1	6.5	4.9	3.2
油壓吐油量	Hydraulic fluid expelled	ℓ/min						
油箱容量	Oil tank capacity	10 ℓ						
使用液壓油	Oil	ISO-VG68						

訂購標示法 Order Code

ADB - 25 A3 - 2B2 - AC110V - MBRV

① ② ③ ④ ⑤ ⑥

①	系列別 Series	ADB
②	增壓倍數 Boost pressure rate	06, 10, 13, 16, 25, 44
③	控制型式 Control type	ISO 規格三迴路油路板 Three-circuit manifold plate with ISO specification.
④	換向閥型式 Direction change valve type	單頭 Single Head : 2B2-02 雙頭 Double Head : 2D2-02, 3C2-02
⑤	線圈型式 Coil type	AC110V, AC220V, DC24V
⑥	減壓閥數量 Quantity of pressure reducing valve	MBRV1, MBRV2, MBRV3

附註：A2 二迴路，A3 三迴路共用油箱
 Remark: A2 two circuits and A3 three circuits that commonly use an oil tank.

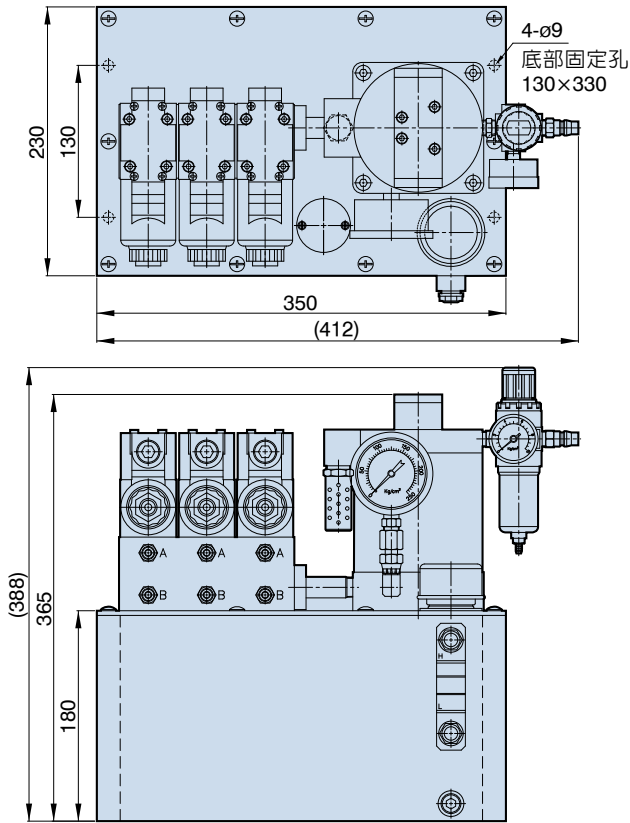
ADB 氣動增壓缸 氣動泵浦 三迴路

Air Pump . Three Circuit

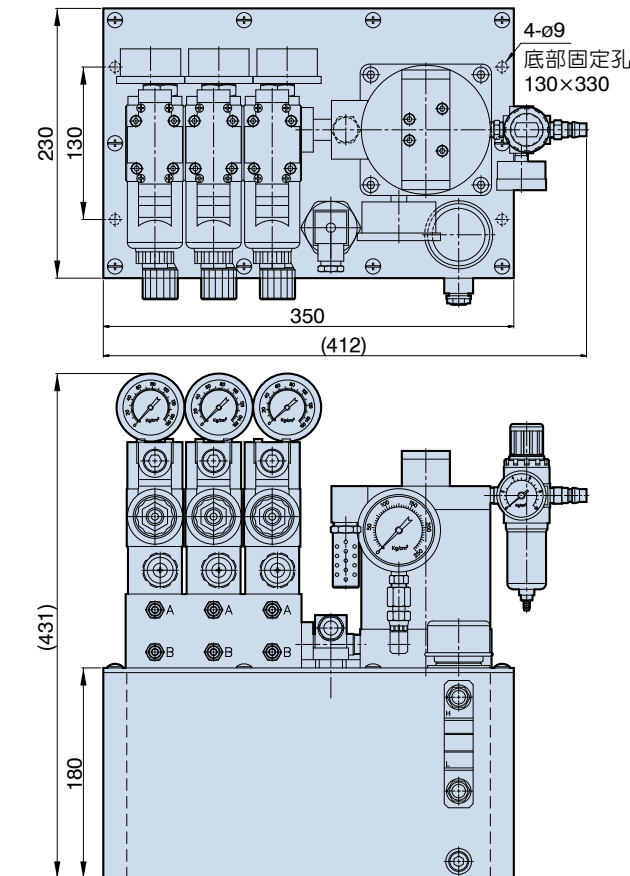
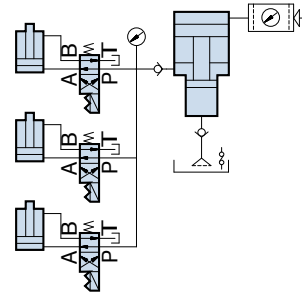


Air Drive Booster

• Pmax:6kg/cm²



迴路圖 Circuit diagram



迴路圖 Circuit diagram

