

ALC 槓桿空壓缸



Air lever-type Cylinder

• Bore: $\phi 25$ - $\phi 63$ mm • Pmax: 10kg/cm²

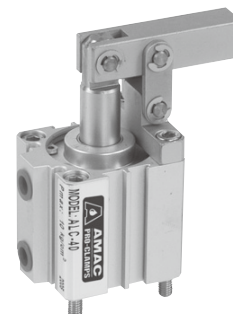
產品簡介

- 此型式空壓缸，採用標準規格化治具缸，加裝槓桿式夾持機構，活塞推出為夾緊狀態，主要機構零件安裝於缸體外部，易於維護。
- 缸體材質採用鋁合金，內壁表面光滑，使用壽命長，夾持機構材料均採用機械構造用炭素鋼，堅固耐用。
- 本系列各種型號均可安裝磁性感應。



Product Introduction

- The series of air cylinder employs the standardized jig cylinder and fitted with lever type clamping mechanism. Piston push forward for clamping. Major parts are mounted outside of the cylinder barrel for convenient maintenance.
- The cylinder barrel is manufactured from aluminum alloy, featuring smooth internal surface and long service life. Clamping mechanism is manufactured from structural carbon steel for maximum durability and long service life.
- All models in this series are available to equip with magnetic proximity switch.



訂購標示法 Ordering Code

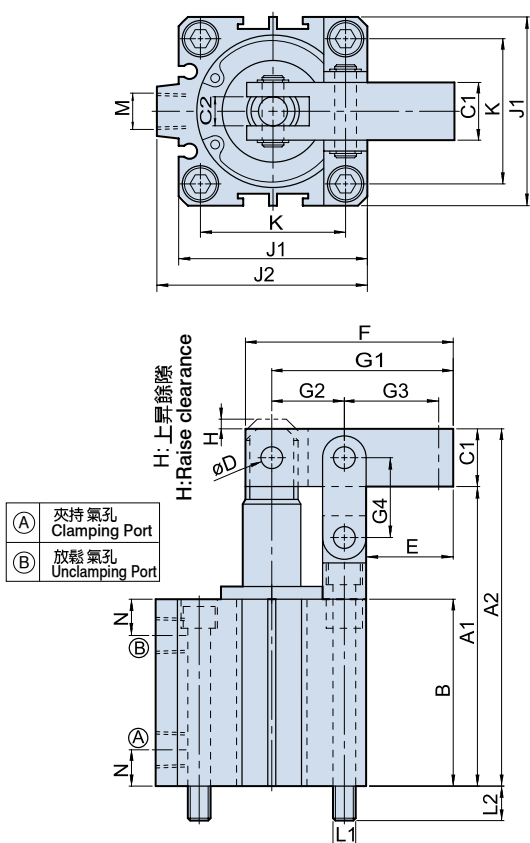
1	ALC	系列別 Series	ALC
2	MS	空白 Blank	標準型 Standard type
3	32	氣缸內徑 Bore of cylinder	$\phi 25$, $\phi 32$, $\phi 40$, $\phi 50$, $\phi 63$
4	S1	近接開關 Sensor switch	S1:1個 S2:2個 1Pc of S1, 2Pcs of S2 電壓 Volt: DC4-24V AC4-120V 電流 Current: 5-40mA

特性資料 Specifications

氣缸內徑	Bore of cylinder	mm	$\phi 25$	$\phi 32$	$\phi 40$	$\phi 50$	$\phi 63$
活塞桿徑	Piston rod diameter	mm	$\phi 10$	$\phi 12$	$\phi 16$	$\phi 20$	$\phi 20$
總行程	Total stroke	mm	20	23	25	30	35
受壓面積	Pressure area	cm ²	4.91	8.04	12.57	19.63	31.17
理論夾持力	Theoretical clamping	6kg/cm ²	15	25	44	71	136
使用流體	Fluid		已濾清之壓縮空氣 Filtered air				
最大操作壓力	Max operation pressure		10Kg/cm ²				
操作壓力範圍	Operation pressure range		1-7Kg/cm ²				
作動方式	Acting type		複動式 Double acting				

Dimensional table

UNIT:mm



ITEM	MODEL	ALC-25	ALC-32	ALC-40	ALC-50	ALC-63
標準型 Standard type	A1	65.5	78	82.5	96.6	115.5
	A2	78.2	93.9	98.4	115.6	137.7
	B	41	49	51.5	58.6	72.5
附磁石 With magnet	A1	75.5	93	97.5	106.6	125.5
	A2	88.2	108.9	113.4	125.6	147.7
	B	51	64	66.5	68.6	82.5
C1		□12.7	□15.9	□15.9	□19	□22.2
C2		6	8	8	10	10
D		$\phi 5$	$\phi 6$	$\phi 6$	$\phi 8$	$\phi 8$
E		25	31	32	35	38.5
F		50	60	65	75	85
G1		45	54	58	66	76
G2		14	17	20	23	29.5
G3		27.5	33	34	38	40.5
G4		17	20	22	27	32
H		3	3	3	3	3
J1		40	44	52	62	75
J2		—	50	58	71	84.5
K		28	34	40	48	60
L1		M5 x 0.8	M5 x 0.8	M6 x 1.0	M6 x 1.0	M6 x 1.0
L2		10.5	11	9.5	11	11
M		M5 x 0.8	PT1/8	PT1/8	PT1/4	PT1/4
N		8	9	10	11	11