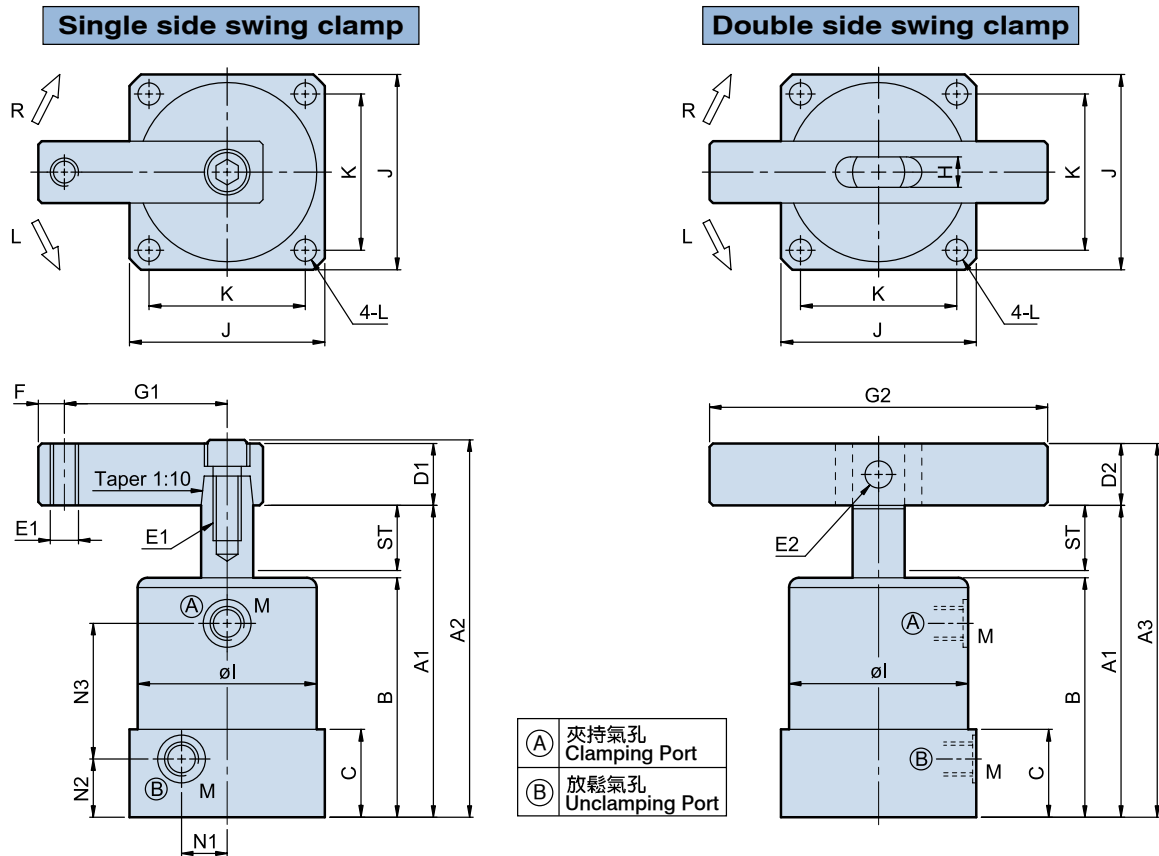


ASC 空壓轉角缸 Line type



Air Swing Clamp Cylinder

• Bore: $\phi 25$ - $\phi 63$ mm • Pmax: 10kg/cm²



Dimensional table

UNIT:mm

ITEM \ MODEL	ASC-25	ASC-32		ASC-40		ASC-50		ASC-63	
ST: Swing/Clamping	22:9/13	26:11/15	41:11/30	26:11/15	41:11/30	30:13/17	47:13/34	30:13/17	47:13/34
A1	89	108	138	108	138	124	158	124	158
A2	(105.9)	(128)	(158)	(128)	(158)	(150.4)	(184.4)	(150.4)	(184.4)
A3	104.9	127	157	127	157	146.2	180.2	146.2	180.2
B	65	78	93	78	93	90	107	90	107
C	23	28		28		31		31	
D1	$\square 15.9$	$\square 19$		$\square 19$		$\square 25.4$		$\square 25.4$	
D2	$\square 15.9$	$\square 19$		$\square 19$		$\square 22.2$		$\square 22.2$	
E1	M6 x 1.0	M8 x 1.25		M8 x 1.25		M10 x 1.5		M10 x 1.5	
E2	$\phi 6$	$\phi 8$		$\phi 8$		$\phi 8$		$\phi 8$	
F	6	8		8		10		10	
G1	35	50		55		60		70	
G2	120	140		140		160		160	
H	7	9		9		10		10	
ϕI	$\phi 35$	$\phi 46$		$\phi 55$		$\phi 65$		$\phi 78$	
J	38	50		60		70		83	
K	30	40		48		57		67	
L	$\phi 4.6$	$\phi 5.6$		$\phi 6.8$		$\phi 6.8$		$\phi 9$	
M	M5 x 0.8	G1/8		G1/8		G1/8		G1/8	
N1	8	11.5		14		17		20	
N2	16.5	19		19		21		21	
N3	39.5	45	60	45	60	54	71	54	71