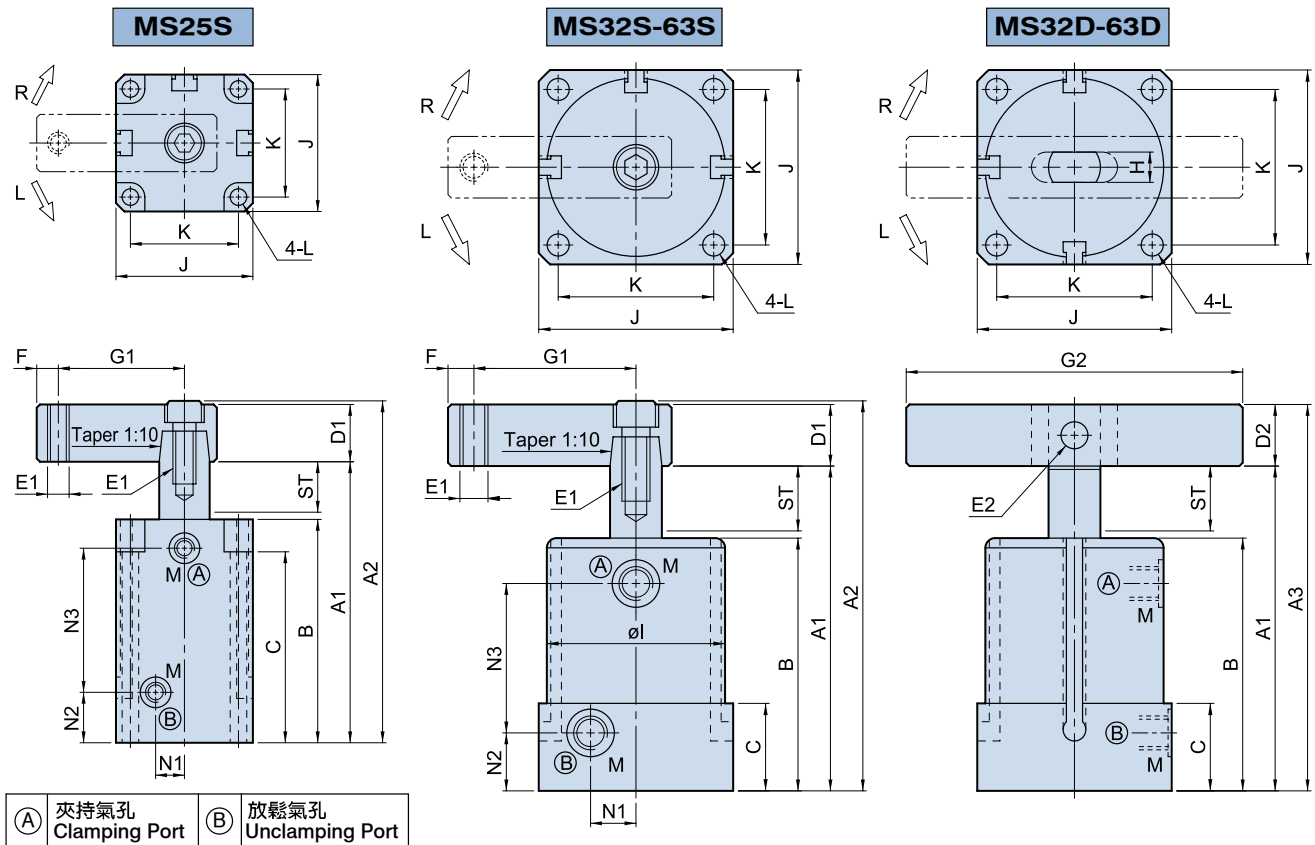


ASC 空壓轉角缸 MS 附磁石感應 With magnetic induction



Air Swing Clamp Cylinder MS

• Bore: $\phi 25$ - $\phi 63$ mm • Pmax: 10kg/cm²



Dimensional table

UNIT:mm

ITEM \ MODEL	ASC-MS25	ASC-MS32	ASC-MS40	ASC-MS50	ASC-MS63
ST:Swing/Clamping	22:9/13	26:11/15	26:11/15	30:13/17	30:13/17
A1	94	113	113	129	129
A2	(110.9)	(133)	(133)	(155.4)	(155.4)
A3	—	132	132	151.2	151.2
B	70	83	83	95	95
C	60	28	28	31	31
D1	□15.9	□19	□19	□25.4	□25.4
D2	—	□19	□19	□22.2	□22.2
E1	M6 x 1.0	M8 x 1.25	M8 x 1.25	M10 x 1.5	M10 x 1.5
E2	—	ø8	ø8	ø8	ø8
F	6	8	8	10	10
G1	35	50	55	60	70
G2	—	140	140	160	160
H	—	9	9	10	10
øI	ø35	ø46	ø55	ø65	ø78
J	38	50	60	70	83
K	30	40	48	57	67
L	ø4.6	ø5.6	ø6.8	ø6.8	ø9
M	M5 x 0.8	G1/8	G1/8	G1/8	G1/8
N1	8	11.5	14	17	20
N2	16.5	19	19	21	21
N3	44.5	50	50	59	59