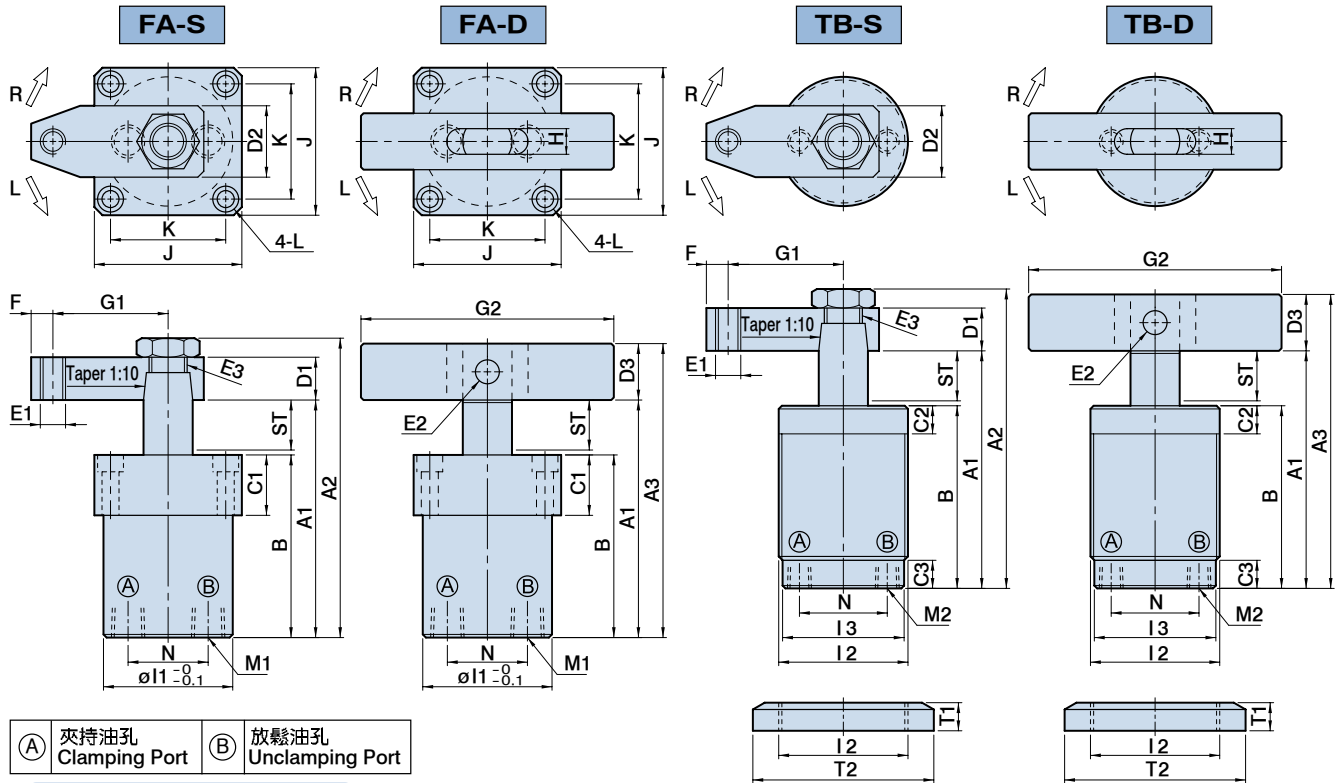


HSC 油壓轉角缸 FA法蘭型/TB全牙型 Flange type / Threaded body



Hydraulic Swing Clamp Cylinder FA.TB

• Bore: $\phi 25\text{-}\phi 63\text{mm}$ • Pmax: 100kg/cm^2



UNIT:mm

Dimensional table

ITEM \ MODEL	HSC-FA25 HSC-TB25	HSC-FA32 HSC-TB32	HSC-FA40 HSC-TB40	HSC-FA50 HSC-TB50	HSC-FA63
ST:Swing/Claming	22:8/14	26:9/17	26:9/17	30:11/19	30:11/19
A1	101	115	120	134	139
A2	(124)	(140)	(148)	(166)	(175)
A3	120	137.2	142.2	159.4	170.8
B	76	85	90	100	105
C1	22	25	25	30	30
C2 / C3	10 / 8	10 / 9	12 / 9	12 / 11	—
D1	15	17	18	20	23
D2	27	31	31	37	48
D3	□19	□22.2	□22.2	□25.4	□31.8
E1	M10x1.5	M10x1.5	M10x1.5	M12x1.75	M16x2.0
E2	$\phi 8$	$\phi 8$	$\phi 10$	$\phi 12$	$\phi 15$
E3	M14x1.5	M16x1.5	M18x1.5	M20x1.5	M26x1.5
F	10	10	10	12	15
G1	50	55	60	65	75
G2	140	160	160	180	200
H	9	10	10	12	15
$\phi 11$	$\phi 45$	$\phi 50$	$\phi 58$	$\phi 68$	$\phi 81$
I2 / I3	M45x1.5 / $\phi 43$	M50x1.5 / $\phi 48$	M55x1.5 / $\phi 53$	M65x1.5 / $\phi 63$	—
J	53	57	69	75	90
K	40	44	52	58	70
L	$\phi 6.8\text{-}\phi 10.5 \times 6.5\text{D.}$	$\phi 6.8\text{-}\phi 10.5 \times 6.5\text{D.}$	$\phi 9\text{-}\phi 14 \times 9\text{D.}$	$\phi 9\text{-}\phi 14 \times 9\text{D.}$	$\phi 11\text{-}\phi 17 \times 11\text{D.}$
M1	PT1/4	PT1/4	PT1/4	PT1/4	PT1/4
M2	PT1/8	PT1/8	PT1/8	PT1/8	—
N	28	32	40	50	63
T1x2PCS	10	11	11	12	—
T2	$\phi 65$	$\phi 70$	$\phi 75$	$\phi 85$	—