

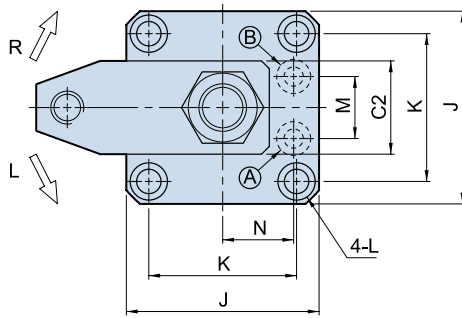
# HSC 油壓轉角缸 M油路板型 Manifold type



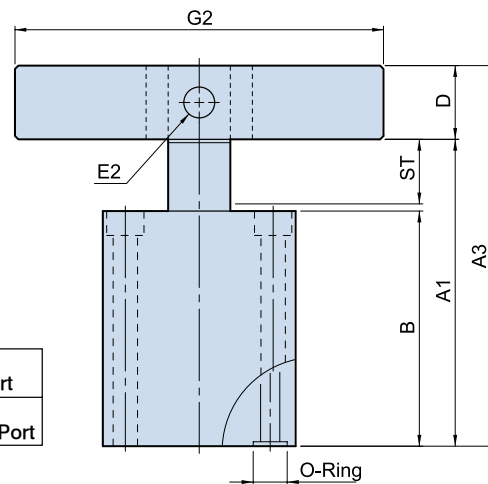
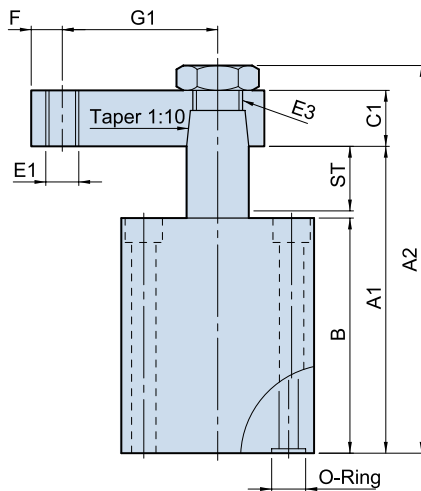
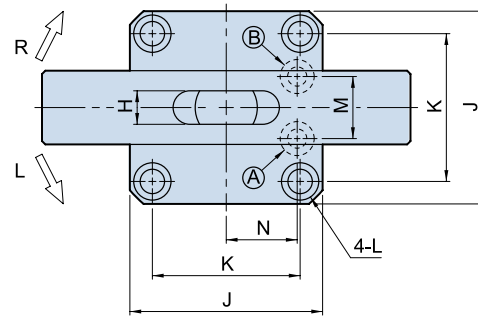
## Hydraulic Swing Clamp Cylinder

• Bore:  $\phi 25\text{-}\phi 50\text{mm}$  • Pmax:  $100\text{kg/cm}^2$

Single side swing clamp



Double side swing clamp



- (A) 夾持油孔  
Clamping Port
- (B) 放鬆油孔  
Unclamping Port

### Dimensional table

UNIT:mm

| ITEM \ MODEL      | HSC-M25   | HSC-M32   | HSC-M40                                   | HSC-M50                                   |
|-------------------|---|---|---|---|
| ST:Swing/Clamping | 22:9/13   | 26:11/15  | 26:11/15                                  | 30:13/17                                  |
| A1                | 101   | 115   | 120                                       | 134                                       |
| A2                | (124)   | (140)   | (148)                                     | (166)                                     |
| A3                | 120   | 137.2   | 142.2                                     | 159.4                                     |
| B                 | 76  | 85  | 90  | 100                                       |
| C1                | 15  | 17  | 18  | 20  |
| C2                | 27  | 31  | 31  | 37  |
| D                 | □19   | □22.2   | □22.2                                     | □25.4                                     |
| E1                | M10x1.5   | M10x1.5   | M10x1.5                                   | M12x1.75                                  |
| E2                | $\phi 8$  | $\phi 8$  | $\phi 10$                                 | $\phi 12$                                 |
| E3                | M14 x 1.5                                       | M16 x 1.5                                       | M18 x 1.5                                 | M20 x 1.5                                 |
| F                 | 10  | 10  | 10  | 12  |
| G1                | 50  | 55  | 60  | 65  |
| G2                | 140   | 160   | 160                                       | 180                                       |
| H                 | 9   | 10  | 10  | 12  |
| J                 | 55  | 57  | 69  | 75  |
| K                 | 42  | 44  | 52  | 58  |
| L                 | $\phi 6.8\text{-}\phi 10.5 \times 6.5\text{D.}$ | $\phi 6.8\text{-}\phi 10.5 \times 6.5\text{D.}$ | $\phi 9\text{-}\phi 14 \times 9\text{D.}$ | $\phi 9\text{-}\phi 14 \times 9\text{D.}$ |
| M                 | 18  | 22  | 26  | 32  |
| N                 | 20  | 22  | 26  | 30  |
| O-Ring            | P7  | P7  | P8  | P8  |