

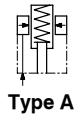
# HSP 高壓支撐缸



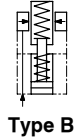
## High Pressure Supporting Cylinder

• Rod:  $\phi 16$  mm • Pmax: 500kg/cm<sup>2</sup>

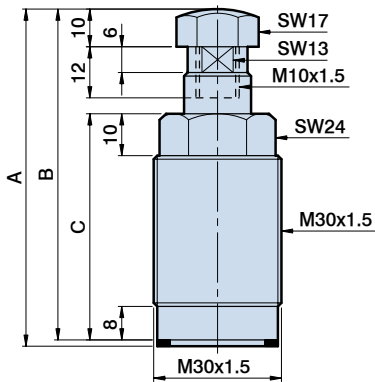
彈簧頂出型 **HSP-16A**  
Spring ejecting type



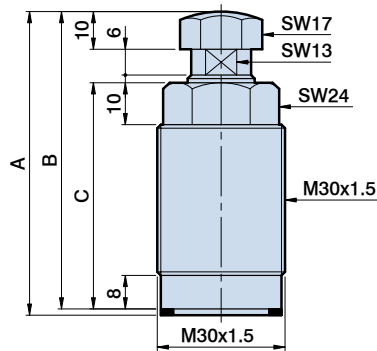
油壓頂出型 **HSP-16B**  
Hydraulic ejecting type



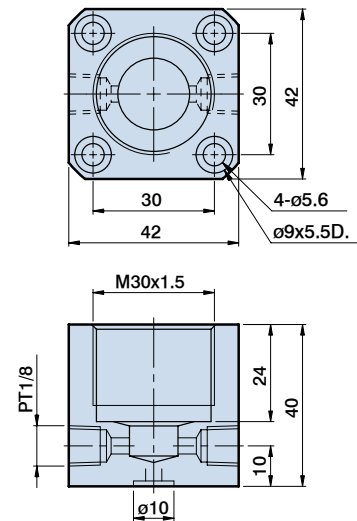
**HSP-16A**



**HSP-16B**

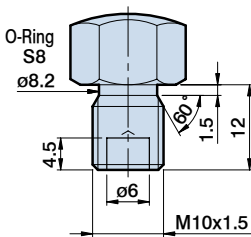


**HSP-16Base**

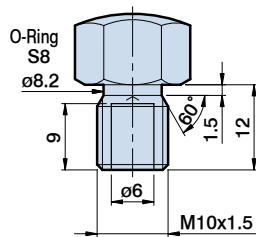


### 頂桿螺帽尺寸與適用型號 Rod nut sizes and applicable models

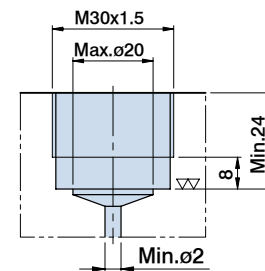
HSP-16A1 HSP-16B1  
HSP-16A2 HSP-16B2



HSP-16B3  
HSP-16B4



### 安裝底座示意圖 Mounting base diagram



### Dimensional table

ITEM	MODEL	HSP-16A1	HSP-16A2	HSP-16B1	HSP-16B2	HSP-16B3	HSP-16B4
頂桿直徑 Rod size	mm	$\phi 16$		$\phi 16$		$\phi 16$	
頂桿行程 Rod stroke	mm	8		8		15	
最小操作壓力 Min. pressure		100Kg/cm <sup>2</sup>					
頂桿接觸工件力量 Rod force of touching work-piece		Min=0.8Kg Max=1.3Kg		Min=1Kg Max=2.3Kg		Min=1Kg Max=2.3Kg	
理論支撐力 Supporting force	500Kg/cm <sup>2</sup>	650Kg	950Kg	650Kg	950Kg	650Kg	950Kg
<b>A</b>	mm	80.5	90.5	72.5	82.5	79.5	89.5
<b>B</b>	mm	79	89	71	81	78	88
<b>C</b>	mm	54	64	54	64	61	71