

HTB 油路板型油壓缸 SDMA, SDMB



Manifold Type Hydraulic Cylinder SDMA,SDMB

• Bore: $\phi 20$ - $\phi 80$ mm • Pmax: 140kg/cm²

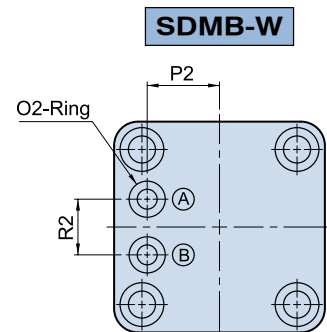
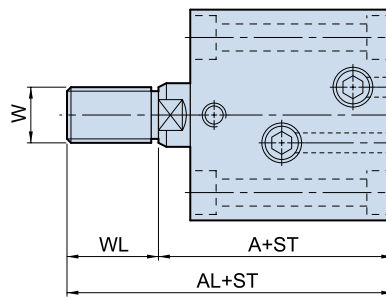
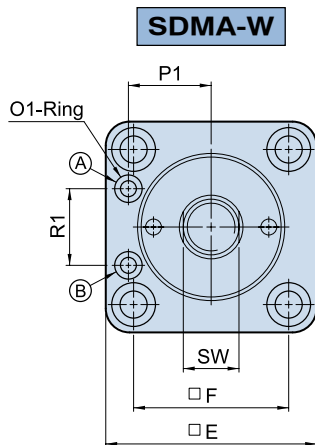
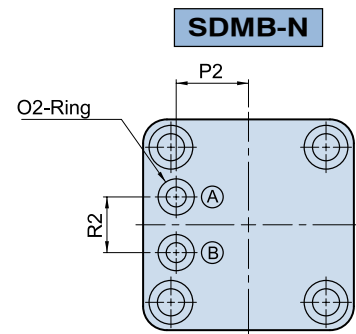
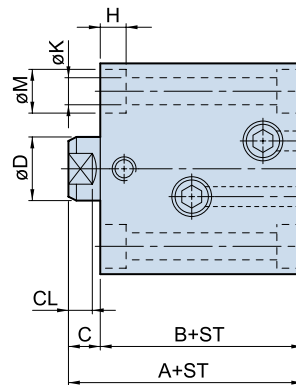
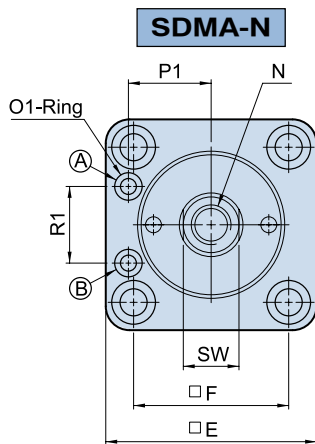
訂購標示法 Ordering Code

HTB - **SDMA** **32** × **20** **N**

↑ ↑ ↑ ↑ ↑

① ② ③ ④ ⑤

①	系列別 Series	HTB		
②	安裝型式 Mounting type	SDMA	軸向前油路板型	Axial front manifold type
		SDMB	軸向後油路板型	Axial back manifold type
③	油缸內徑 Bore of cylinder	$\phi 20$. $\phi 25$. $\phi 32$. $\phi 40$. $\phi 50$. $\phi 63$. $\phi 80$		
④	標準行程 Standard stroke	請參考行程規格表 Please refer to the stroke specification		
⑤	軸端型式 Rod end type	內牙N: Internal thread N 外牙W: External thread W		



ST=Stroke

(A)	推出油孔 Push out
(B)	拉入油孔 Pull in

Dimensional table

$\phi 20, \phi 25$ 右列行程之本體長度B尺寸相同 (5,10) (15,20) (25,30)

$\phi 20, \phi 25$ The length "B" of cylinder body is the same of the stroke: (5,10) (15,20) (25,30)

UNIT:mm

Bore	A	AL	B	C	CL	D	SW	E	F	H	K	M	N	W	WL	SDMA			SDMB		
																P1	R1	O1	P2	R2	O2
$\phi 20$	51	71	43	8	6	12	10	42	30	5.5	5.6	9	M8x1.25x12D.	M10x1.25	20	16.5	13	P4	13	11	P5
$\phi 25$	53	75	45	8	6	14	12	48	36	5.5	5.6	9	M10x1.5x15D.	M12x1.25	22	19.5	18	P4	16	13	P7
$\phi 32$	64	89	54	10	7	20	17	62	47	6.5	6.8	11	M12x1.75x15D.	M16x1.5	25	24	24	P6	20	20	P9
$\phi 40$	65	95	55	10	7	25	22	70	52	9	9	14	M16x2.0x20D.	M22x1.5	30	27	26	P6	24	20	P9
$\phi 50$	71	106	60	11	8	30	27	80	58	11	11	18	M20x2.5x25D.	M26x1.5	35	32	27	P8	29	20	P9
$\phi 63$	80	120	67	13	10	35	32	94	69	13	13	20	M27x3.0x35D.	M30x1.5	40	38	35	P8	35	26	P11
$\phi 80$	95	140	78	17	14	45	41	114	86	15	15	22	M30x3.5x35D.	M39x1.5	45	47	45	P11	44	30	P11